



Apple Computer Design Patents: Selected Patents

Compiled by
David T Craig -- 21 February 2004

United States Patent

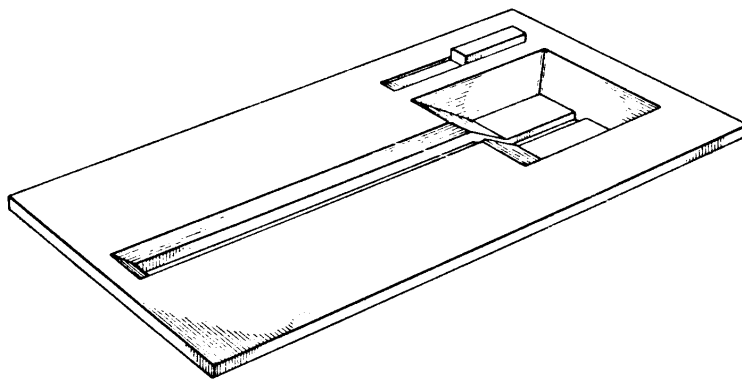
Des. 266,426

**** Oct. 5, 1982**

FRONT PANEL FOR FLOPPY DISC DRIVE

Inventor: William F. Dresselhaus, Redwood
City, Calif.

Assignee: Apple Computer, Inc., Cupertino,
Calif.



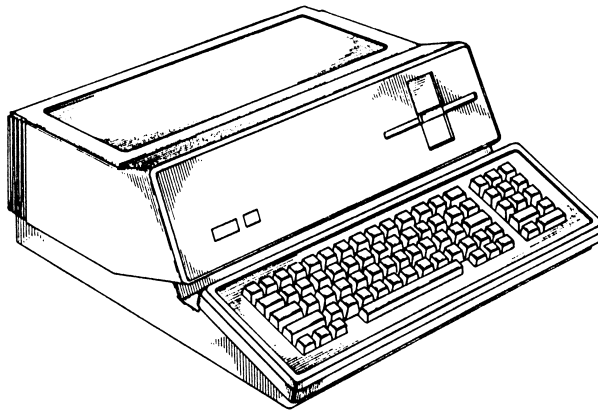
Des. 268,584

**** Apr. 12, 1983**

PERSONAL COMPUTER

Inventors: **Steven P. Jobs**, Los Gatos; **Jerrold C. Manock**, Palo Alto; **Dean A. Hovey**, Los Altos; **David M. Kelley**, Palo Alto, all of Calif.

Assignee: **Apple Computer, Inc.**, Cupertino, Calif.



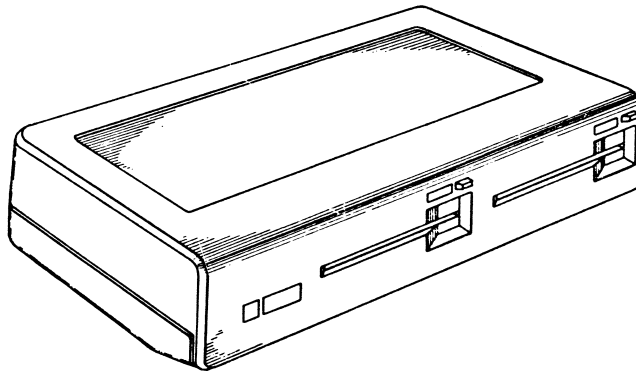
Des. 271,102

**** Oct. 25, 1983**

DUAL DISK DRIVE

Inventors: **Jerrold C. Manock**, Palo Alto; **James R. Stewart**, San Jose, both of Calif.

Assignee: **Apple Computer, Inc.**, Cupertino, Calif.



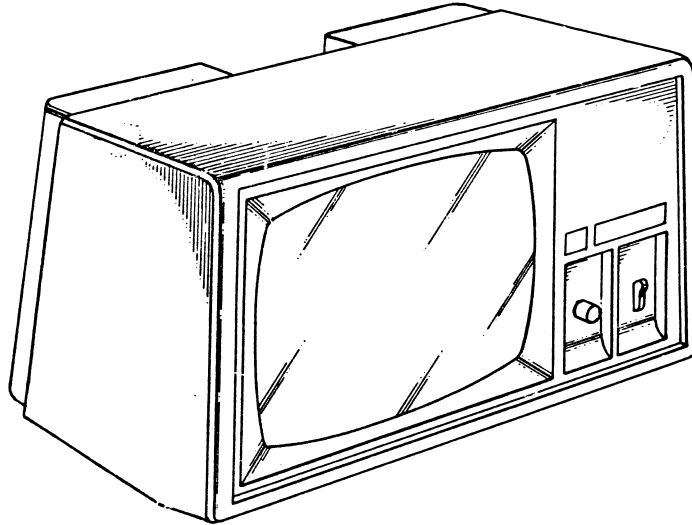
Des. 273,191

**** Mar. 27, 1984**

COMPUTER DATA DISPLAY MONITOR

Inventors: Terrell A. Oyama, San Jose; Loren D. Stirling, Pleasanton, both of Calif.

Assignee: Apple Computer, Inc., Cupertino, Calif.



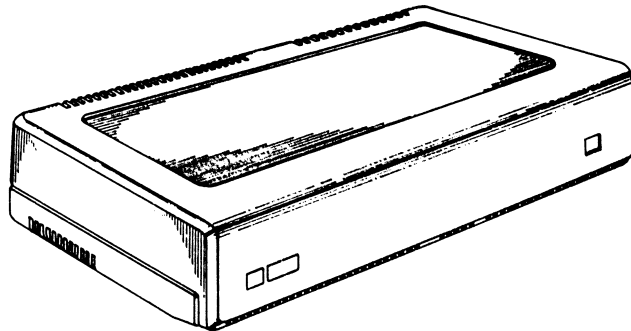
Des. 273,295

**** Apr. 3, 1984**

HARD DISK DRIVE

Inventor: James R. Stewart, San Jose, Calif.

Assignee: Apple Computer, Inc., Cupertino, Calif.



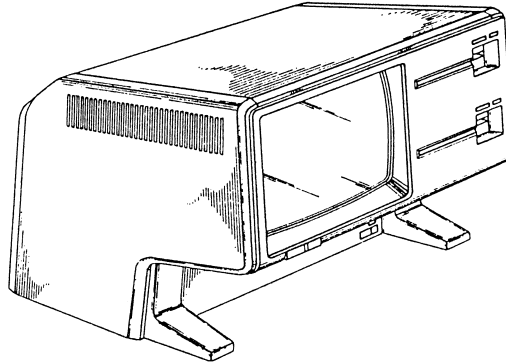
Des. 277,673

**** Feb. 19, 1985**

COMPUTER

Inventors: William F. Dresselhaus, Redwood City; Kenneth S. Campbell, Mountain View; Clive R. Twyman, Fremont, all of Calif.; Douglas C. Dayton, Cambridge, Mass.

Assignee: Apple Computer, Inc., Cupertino, Calif.



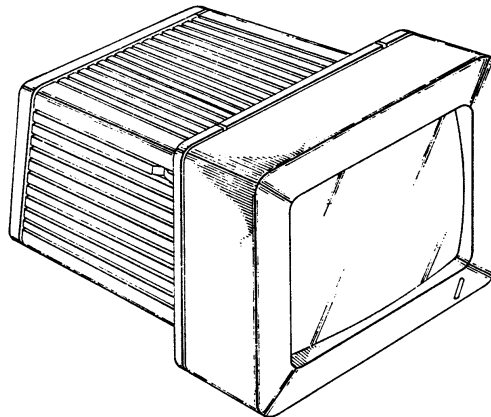
Des. 284,008

**** May 27, 1986**

**VIDEO DISPLAY FOR USE WITH A
COMPUTER**

Inventors: Hartmut H. Esslinger; Stephen Peart, both of Los Gatos; William G. MacKenzie, San Jose, all of Calif.

Assignee: Apple Computer, Inc., Cupertino, Calif.



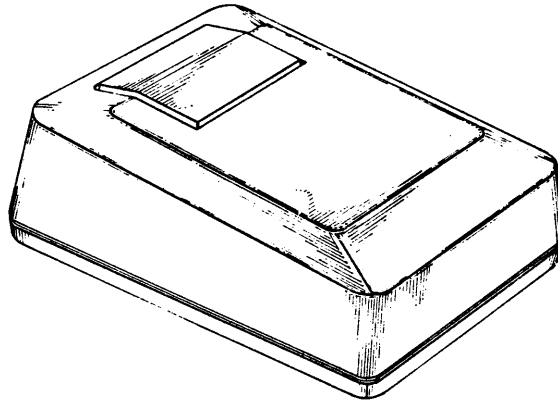
Des. 284,284

**** Jun. 17, 1986**

**HOUSING FOR MOVABLE CURSOR
CONTROL FOR A VIDEO DISPLAY**

**Inventors: Jerrold C. Manock, Palo Alto;
Terrell A. Oyama, Los Altos; James
R. Yurchenco, Palo Alto, all of Calif.**

**Assignee: Apple Computer, Inc., Cupertino,
Calif.**



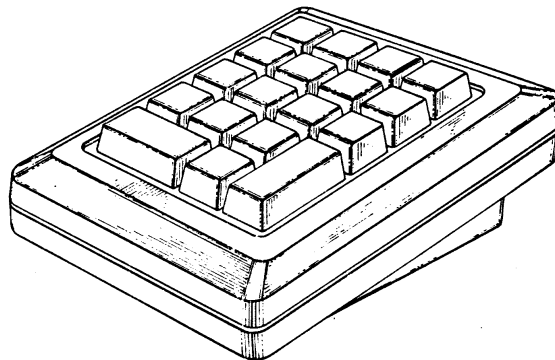
Des. 286,047

**** Oct. 7, 1986**

KEYPAD

**Inventors: David Roots, Santa Cruz; Jerrold C.
Manock, Palo Alto; Terrell A.
Oyama, Los Altos, all of Calif.**

**Assignee: Apple Computer, Inc., Cupertino,
Calif.**



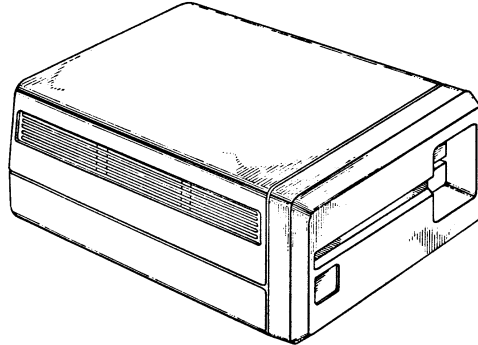
Des. 286,050

**** Oct. 7, 1986**

DISK DRIVE HOUSING

Inventors: David H. Roots, Santa Cruz; Terrell A. Oyama, Los Altos; Jerrold C. Manock, Palo Alto, all of Calif.

Assignee: Apple Computer, Inc., Cupertino, Calif.



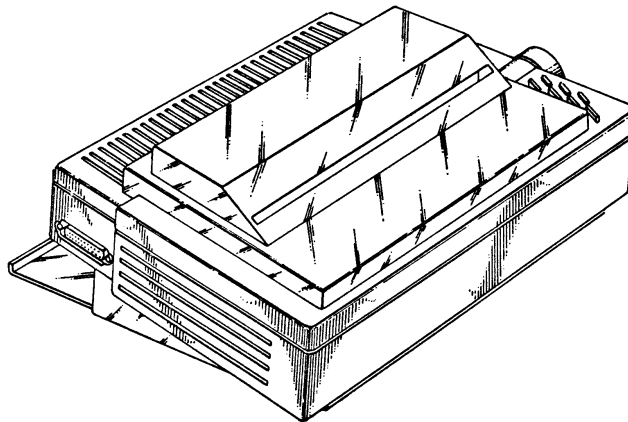
Des. 286,052

**** Oct. 7, 1986**

PRINTER HOUSING

Inventors: Stephen Peart, Los Gatos; Mark F. Pruitt, Sunnyvale; William G. MacKenzie, San Jose, all of Calif.

Assignee: Apple Computer, Inc., Cupertino, Calif.



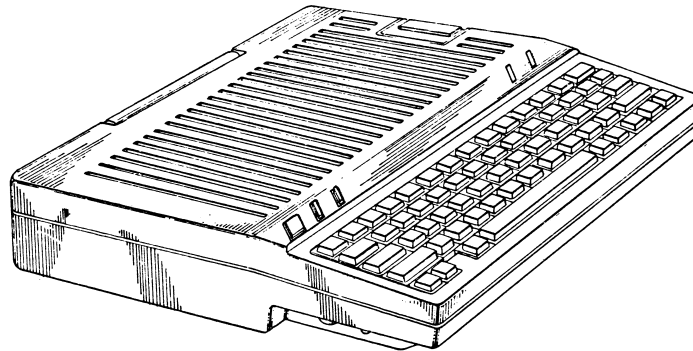
Des. 287,967

**** Jan. 27, 1987**

PERSONAL COMPUTER HOUSING

**Inventors: Rob J. Gemmell, Santa Clara;
Hartmut H. Easlinger; Stephen Peart,
both of Los Gatos, all of Calif.**

**Assignee: Apple Computer, Inc., Cupertino,
Calif.**



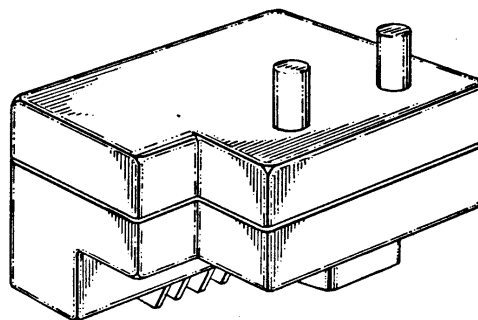
Des. 288,434

**** Feb. 24, 1987**

**HOUSING FOR ELECTRICAL CIRCUIT
WHICH PROVIDES AN INTERFACE
BETWEEN A COMPUTER AND A
TELEVISION SET, OR THE LIKE**

Inventor: Rob J. Gemmell, Santa Clara, Calif.

**Assignee: Apple Computer, Inc., Cupertino,
Calif.**



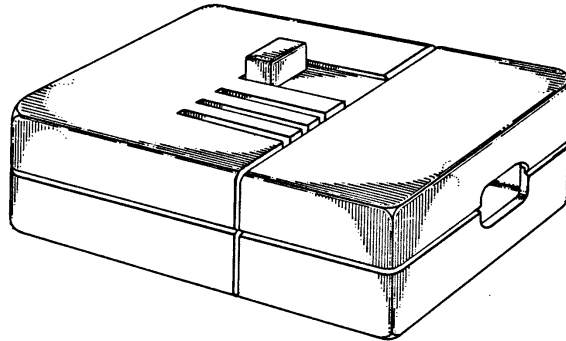
Des. 288,555

**** Mar. 3, 1987**

SWITCH BODY

Inventor: Rob J. Gemmell, Santa Clara, Calif.

Assignee: Apple Computer, Inc., Cupertino, Calif.



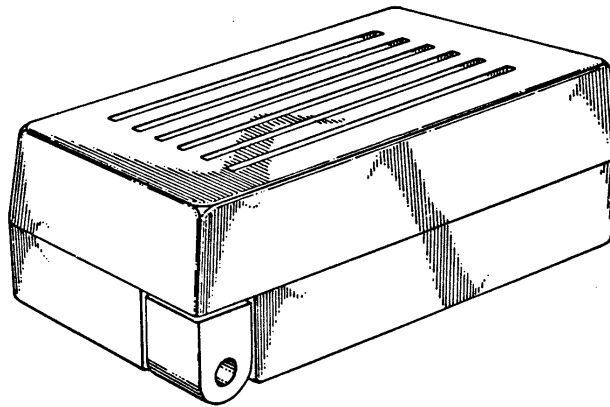
Des. 288,800

**** Mar. 17, 1987**

POWER SUPPLY HOUSING

Inventor: Rob J. Gemmell, Santa Clara, Calif.

Assignee: Apple Computer, Inc., Cupertino, Calif.



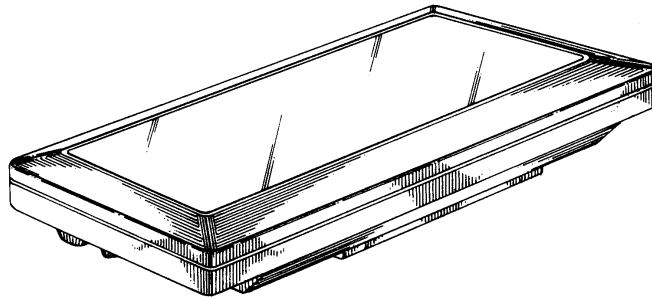
Des. 289,873

**** May 19, 1987**

**FLAT PANEL DISPLAY FOR PERSONAL
COMPUTER**

Inventors: **Rob J. Gemmell**, Santa Clara;
Stephen Peart, Los Gatos, both of
Calif.

Assignee: **Apple Computer, Inc.**, Cupertino,
Calif.



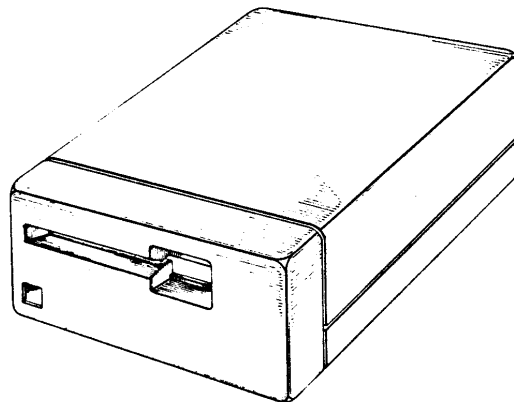
Des. 290,257

**** Jun. 9, 1987**

DISK DRIVE CASE

Inventors: **Jerrold C. Manock**, Palo Alto;
Terrell A. Oyama, Los Altos; **David
H. Roots**, Santa Cruz, all of Calif.

Assignee: **Apple Computer, Inc.**, Cupertino,
Calif.



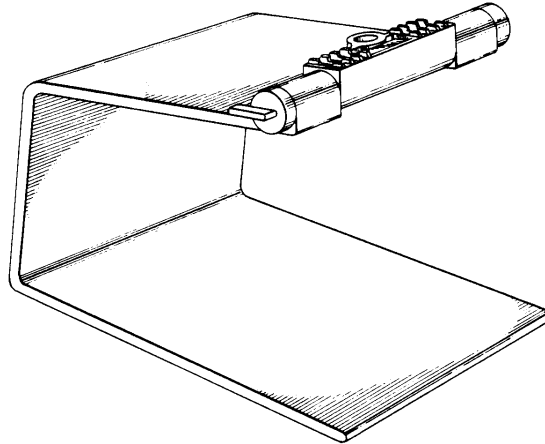
Des. 290,706

**** Jul. 7, 1987**

MONITOR STAND

Inventors: Stephen Peart, Los Gatos; Man Van-Dinh, Campbell, both of Calif.

Assignee: Apple Computer, Inc., Cupertino, Calif.



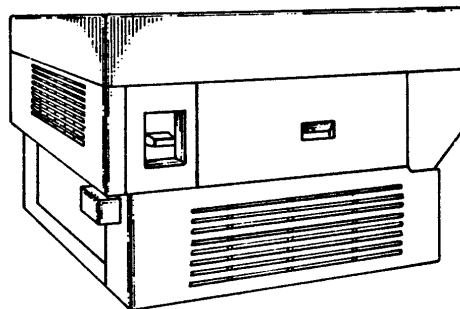
Des. 290,716

**** Jul. 7, 1987**

LASER PRINTER

Inventors: Stephen Peart, Los Gatos; Sigmar Willnauer, Campbell; Terrence B. Christensen, Mountain View, all of Calif.

Assignee: Apple Computer, Inc., Cupertino, Calif.



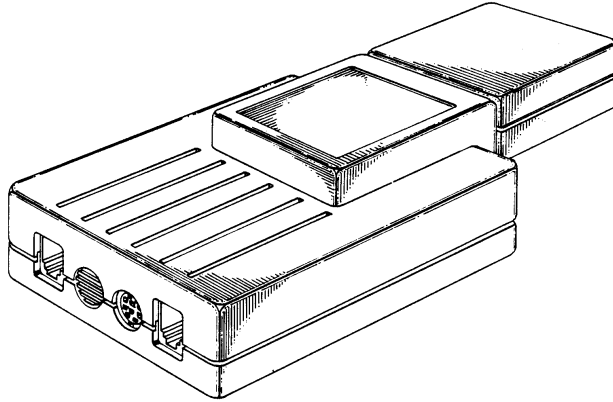
Des. 295,752

**** May 17, 1988**

MODEM

**Inventors: William MacKenzie, San Jose;
Stephen Peart, Los Gatos, both of
Calif.**

**Assignee: Apple Computer, Inc., Cupertino,
Calif.**



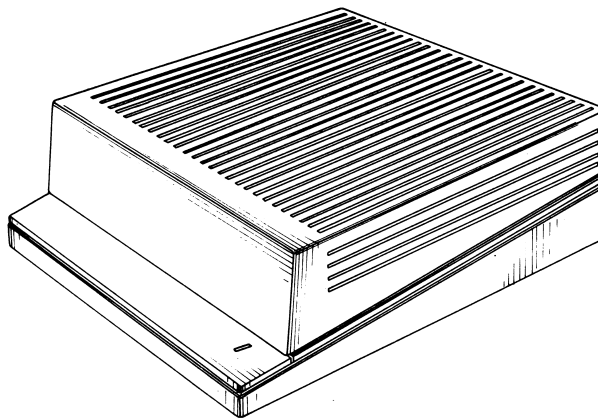
Des. 303,791

**** Oct. 3, 1989**

COMPUTER HOUSING

**Inventors: Stephen Peart, Los Gatos; Anthony
Guido, Campbell, both of Calif.**

**Assignee: Apple Computer, Inc., Cupertino,
Calif.**



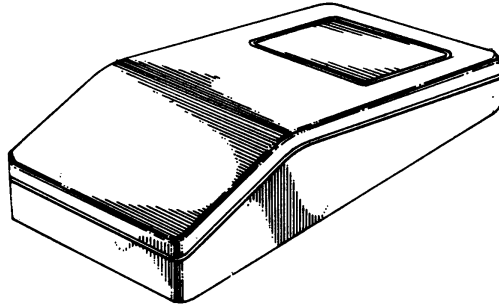
Des. 304,447

**** Nov. 7, 1989**

**HOUSING FOR MOVABLE CURSOR
CONTROL FOR A VIDEO DISPLAY**

Inventors: Steven Adams, San Jose; William Bull, Sunnyvale; Stephen Peart, Los Gatos, all of Calif.

Assignee: Apple Computer Inc., Cupertino, Calif.



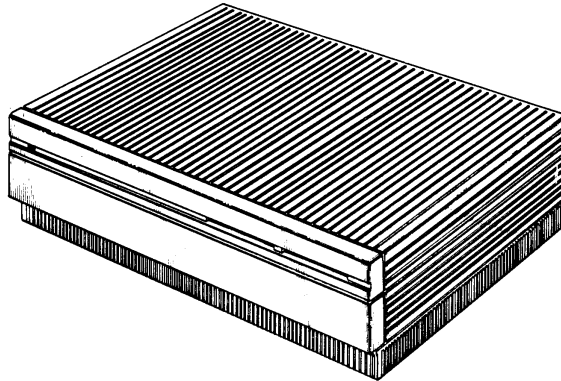
Des. 305,227

**** Dec. 26, 1989**

COMPUTER HOUSING

Inventor: Hartmut H. Esslinger, Los Gatos, Calif.

Assignee: Apple Computer, Inc., Cupertino, Calif.



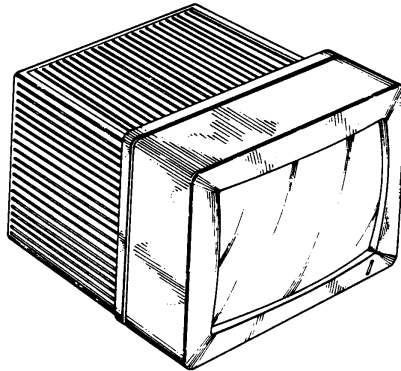
Des. 308,053

**** May 22, 1990**

VIDEO DISPLAY FOR COMPUTER

Inventor: Stephen Peart, Los Gatos, Calif.

Assignee: Apple Computer, Inc., Cupertino, Calif.



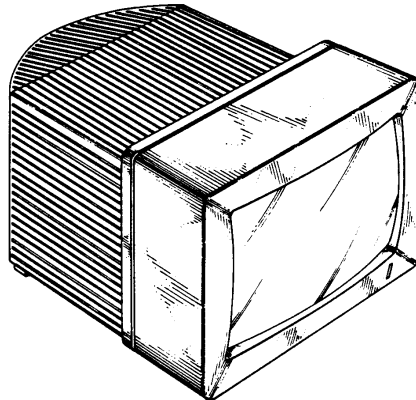
Des. 308,054

**** May 22, 1990**

VIDEO DISPLAY FOR COMPUTER

Inventor: Stephen Peart, Los Gatos, Calif.

Assignee: Apple Computer, Inc., Cupertino, Calif.



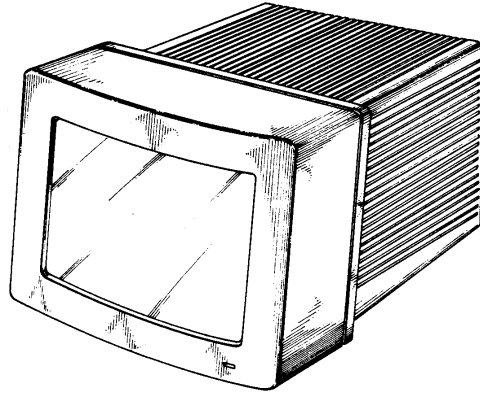
Des. 308,196

**** May 29, 1990**

VIDEO DISPLAY FOR A COMPUTER

**Inventor: Sigmar Willnauer, Portola Valley,
Calif.**

**Assignee: Apple Computer, Inc., Cupertino,
Calif.**



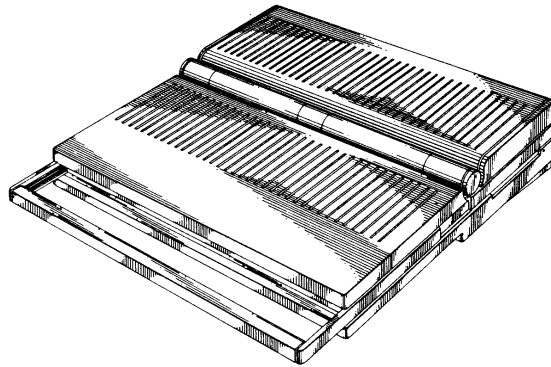
Des. 313,403

**** Jan. 1, 1991**

**PORTABLE COMPUTER OR SIMILAR
ARTICLE**

**Inventors: Hartmut H. Esslinger, Los Gatos;
Eric I. Gruenberg, Soquel; James R.
Stewart, San Jose, all of Calif.**

**Assignee: Apple Computer, Inc., Cupertino,
Calif.**



THE END