

**PARALLEL PRINTER
INTERFACE CARD**

INSTALLATION AND OPERATING MANUAL



TM

Apple Intelligent Subsystem

 **apple computer, inc.**

10260 Bandley Drive
Cupertino, California 95014
(408) 996-1010

APPLE II
PARALLEL PRINTER
INTERFACE CARD (A2B0002X)
INSTALLATION AND OPERATING MANUAL

**PLEASE READ THIS MANUAL BEFORE ATTEMPTING TO
INSTALL THE PRINTER INTERFACE CARD INTO THE APPLE II.
INCORRECT WIRING COULD CAUSE PERMANENT DAMAGE
TO BOTH THE PRINTER INTERFACE CARD AND THE APPLE II.**

PARALLEL PRINTER INTERFACE CARD
INSTALLATION AND OPERATING MANUAL

TABLE OF CONTENTS

SECTION	TITLE	PAGE
	INTRODUCTION	3
I	INTERFACING TO THE PRINTER	5
	Connecting The Cable	
	Wiring The Jumper Block	
II	INSTALLING THE PRINTER CARD	13
III	PRINTER OPERATION	15
	Accommodating Different Printers	
	Starting To Use Your New Printer	
	Printer Commands	
IV	USING THE PRINTER CARD AS A GENERAL- PURPOSE, PARALLEL OUTPUT PORT	21
V	HARDWARE DESCRIPTION	23
	Introduction	
	Handshake Procedure	
	Schematic	
VI	FIRMWARE DESCRIPTION	29

APPLE II PARALLEL PRINTER INTERFACE CARD

INTRODUCTION

The Parallel Printer Interface Card allows the Apple II to produce hardcopy (printed) output on a wide variety of printers. This compact board not only provides a complete electronic link between the printer and the Apple II motherboard, but in addition it contains a powerful firmware package to handle:

- Interpretation of program commands for the printer,
- Compensation for varying printer line lengths,
- Special control characters peculiar to a given printer.

Using this built-in subroutine package, a user can easily control the printer from BASIC or the Monitor, to produce:

- Program listings
- Printed records and reports
- Debug listings and memory dumps

The Interface Card can be quickly adapted to most printers equipped with a 7- or 8-bit parallel interface. It can operate them at speeds up to 5000 char/second (3700 lines/minute at 80 char/line), or the maximum rated speed of the printer-- whichever is lower. It can print 40 to 255 characters/line, determined by the printer.

The Printer Card is also useful in non-printer applications as a general purpose, 8-bit parallel output port. See Section 4 for information on using the board in this mode.

I INTERFACING TO THE PRINTER

The Apple II Parallel Printer Card is designed to interface with a variety of printers; but the user must "customize" it to interface with the selected printer by:

1. Connecting the ribbon cable (delivered with the Parallel Printer Card) to the proper connection points in the printer, and;
2. Wiring the jumper configuration block for the "handshake" (communications) procedure recognized by the printer.

Connecting the Cable

The twenty-wire interconnecting cable is illustrated at the end of this section. Ten to twelve wires (depending on the selected printer) must be connected to the printer. Cable connector diagrams for the Axiom EX800, the Centronics, and the SWTP PR40 printers are given on the pages following the cable illustration. For all other printers, use the twenty-wire cable illustration (Figure 2) and the interconnect information in the printer manufacturer's manual to develop your connector diagram (use the form in Figure 6). Connect the wires in the following order:

Step	Cable Wire(s)	
1	Connect both Grounds	1 & 20 to the printer "circuit" or "logic" ground pins. (Do not use "chassis" or "AC" ground)
2	Connect Data Lines	10-17 to the appropriate data input pins in the printer.

Notes: Data Line DP0 (cable wire 10) must go to the lowest numbered signal name (Least Significant Bit) in the printer. The lowest signal name is usually number 0; but it may be number 1, depending on the printer. (The printer signal names, which are specified in the printer manual, may not correspond to the connector pin numbers, so go by the signal names.)

Data Lines DP1-DP7 (cable wires 11-17) connect to sequentially higher numbered printer signal names. Some printers only utilize seven data lines (e.g. Axiom and PR40). Other printers utilize eight data lines (e.g. Centronics). If only seven data lines are utilized, leave printer cable wire 17 (DP7) unconnected.

- | | | |
|---|-------------|------------------------------|
| 3 | Connect ACK | 2 to the printer output pin. |
|---|-------------|------------------------------|

Notes: ACK (ACKnowledge) should be connected to the printer output pin (labeled ACK, DATA ACCEPTED, or a similar name) which denotes the printer accepting data from the interface card.

Either ACK or $\overline{\text{ACK}}$ polarity is acceptable, depending on the configuration of the jumper block.

- | Step | Cable Wire(s) |
|------|--|
| 4 | Connect STROBE 8 to the printer input pin. |
- Notes: STROBE should be connected to the printer input pin (labeled STROBE, DATA READY, or a similar name) which denotes the interface card telling the printer that data is ready for acceptance.
Either STROBE or $\overline{\text{STROBE}}$ polarity is acceptable, depending on the configuration of the jumper block.
- 5 Tape all unconnected wires from the cable to avoid unintentional shorts.

Wiring the Jumper Block

The jumper configuration block must be wired for the "handshake" procedure the printer recognizes. To wire the jumper block, take the following steps:

- Step**
- 1 Locate the jumper block (in the lower right corner of the Parallel Printer Board-location B1).
 - 2 Note the position of the jumper block in location B1. The upper left corner of the jumper lock is notched, denoting pin #1. The jumper block must be re-inserted so the notched upper left corner matches the notched upper left corner of the socket.
 - 3 Remove and wire the jumper block.

Notes: Wiring diagrams for the Axiom, Centronics, and SWTP PR40 printers are illustrated at the end of this section.

For all other printers, take the following steps:

- A. Determine whether the printer requires STROBE (positive-going) or $\overline{\text{STROBE}}$ (negative-going) strobe edge.
- B. Determine whether the printer output is an ACK (negative-going) or an $\overline{\text{ACK}}$ (positive-going) signal edge.
- C. Select the diagram in Figure 1 below that matches the STROBE/ACK "handshake" determined in A and B above.
- D. Wire the jumper block according to the appropriate diagram.

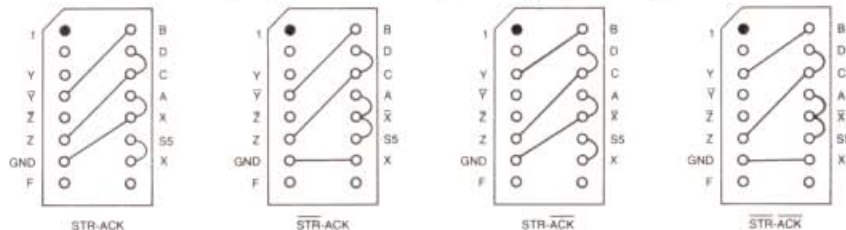


Figure 1. Jumper Block Diagrams

The STROBE/ACK specifications are usually found in the manual describing the printer. The names used to identify STROBE and ACK signals may vary.

If the STROBE/ACK signals are not defined, as a last resort try each wiring diagram in Figure 1. The Apple II will control the printer properly when the correct configuration is found. (Attempting to use the printer with an incorrect configuration will not damage the printer or the Apple II.)

- 4 Re-insert the jumper block in location B1 on the Parallel Printer Card. The notched upper left corner of the jumper block must match the notched upper left corner of the socket.

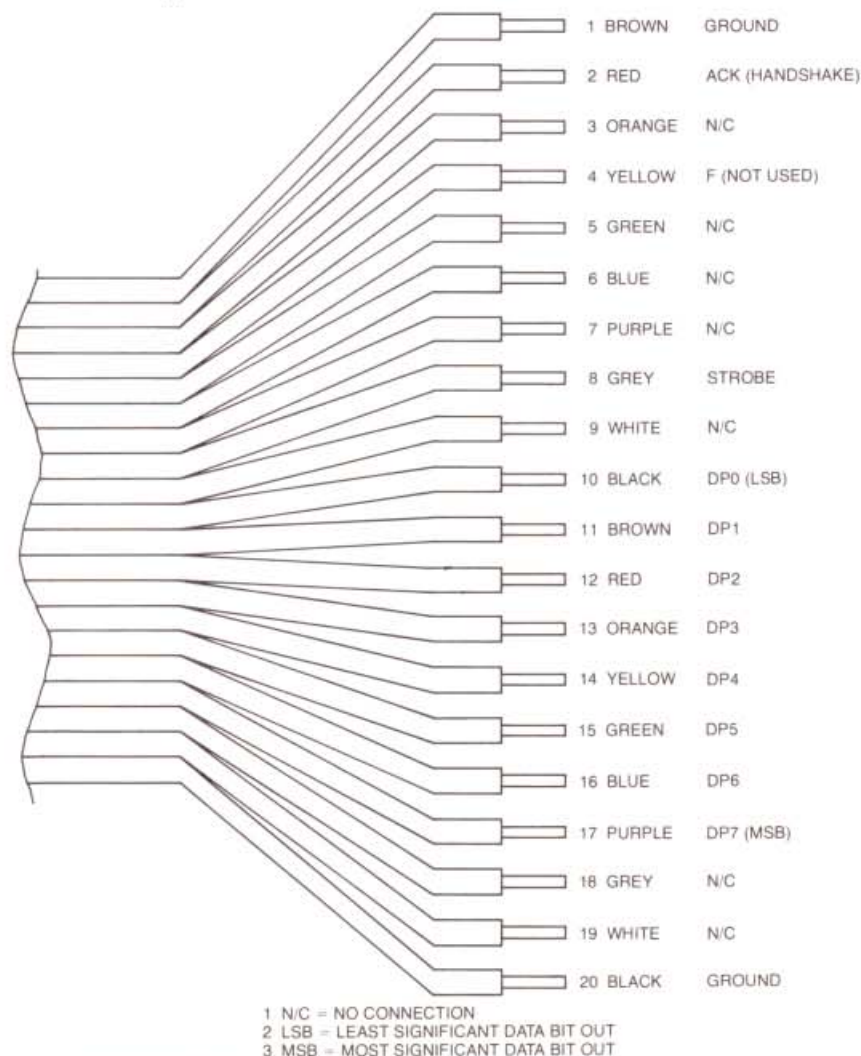


Figure 2. Interconnecting Cable Diagram

Cable Connector Table

Axiom EX800 Printer

The Axiom EX800 uses a DB-25 male connector (ITT-Cannon Part #DB25P). The DB-25 male connectors are widely used in RS-232 interface devices.

Apple II	Printer Board Pin	Wire Color	EX800 Pin
GND	1	Brown	7
ACK	2	Red	14
STR	8	Grey	24
DP0	10	Black	15
DP1	11	Brown	16
DP2	12	Red	17
DP3	13	Orange	18
DP4	14	Yellow	19
DP5	15	Green	21
DP6	16	Blue	23
GND	20	Black	7

Jumper Configuration Block Wiring Diagram

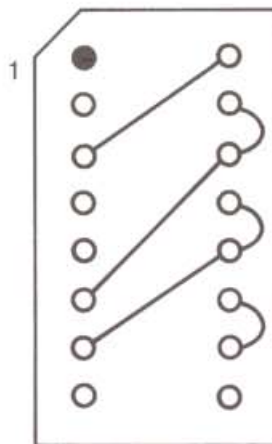


Figure 3. Axiom EX800 Example

Cable Connector Table

Centronics Printers

All standard Centronics printers use the same interface. Centronics printers require an Amphenol type 47, part #47-30360 connector.

Apple II	Printer Board Pin	Wire Color	Centronics Pin
GND	1	Brown	14
ACK	2	Red	10
STR	8	Grey	1
DP0	10	Black	2
DP1	11	Brown	3
DP2	12	Red	4
DP3	13	Orange	5
DP4	14	Yellow	6
DP5	15	Green	7
DP6	16	Blue	8
DP7	17	Violet	9
GND	20	Black	16

Jumper Configuration Block Wiring Diagram

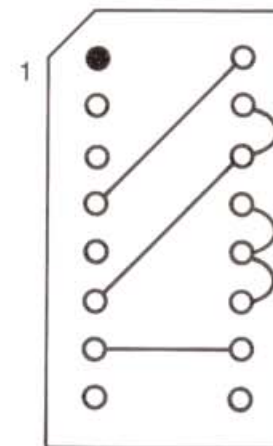


Figure 4. Centronics Example

Cable Connector Table

SWTP PR40 Printer

The SWTP requires a Molex receptacle, #03-09-1122. The connector uses both male and female pins and is wired as follows:

Apple II	Printer Board Pin	Wire Color	PR40 Pin	PR400 Pin Type
GND	1	Brown	1	Female
ACK	2	Red	2	Female
STR	8	Grey	3	Male
—	—	N.C.	4	Female
DP5	15	Green	5	Female
DP6	16	Blue	6	Female
—	—	N.C.	7	Male
DP3	13	Orange	8	Female
DP4	14	Yellow	9	Female
DP0	10	Black	10	Female
DP1	11	Brown	11	Female
DP2	12	Red	12	Male
GND	20	Black	1	Female

Jumper Configuration Block Wiring Diagram

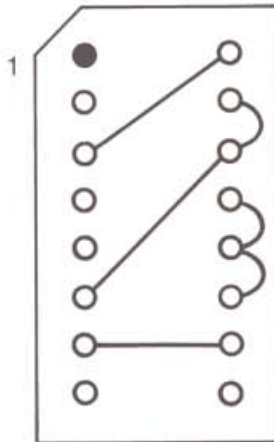


Figure 5. SWTP Example

Cable Connector Table

User's Printer Worksheet

Apple II	Print Board Pin	Wire Color	Printer Pin
GND	1	Brown	_____
ACK	2	Red	_____
STR	8	Grey	_____
DP0	10	Black	_____
DP1	11	Brown	_____
DP2	12	Red	_____
DP3	13	Orange	_____
DP4	14	Yellow	_____
DP5	15	Green	_____
DP6	16	Blue	_____
GND	20	Black	_____

Jumper Configuration Block Wiring Diagram

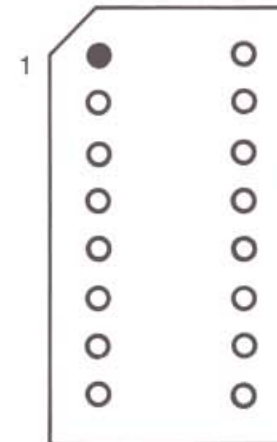


Figure 6. User's Cable and Configuration Block Diagram

II INSTALLING THE PRINTER CARD

To install the Parallel Printer Card, take the following steps:

Step

- 1 Turn the Apple II off.

Note: Power should always be off when inserting or removing a card. If the power is on, removal or insertion of a card could cause permanent damage to both the card and the Apple II.

- 2 Take off the lid and look at the row of eight connectors at the rear. Each connector is numbered (0-7) just in back of the connector. The numbered connectors are called slots.

- 3 Plug the Parallel Printer Card into any slot except slot #0.

Note: Slot #0 is reserved for future expansion and cannot be utilized by the Parallel Printer Card.

We recommend that you plug the card into slot #1, because the commands in the following section use slot #1.

When you sit at the keyboard, the component side of the Printer Card will be to your right when you insert it.

- 4 Gently plug the 20-pin flat cable connector into the mating connector on the Parallel Printer Card.

Note: The connector should be inserted so the flat cable comes out of the connector away from the board (not next to the board).

- 5 Drape the cable over the back of the case (with the lid off) and put the lid on.

Note: The pressure between the lid and the case acts as a cable clamp, preventing a tug on the cable from putting stress on the connector or Parallel Printer Card.

- 6 Plug the other end of the cable into the printer I/O connector.

III PRINTER OPERATION

Accommodating Different Printers

Interpretation of Carriage Return and Line Feed character sequences varies from printer to printer. The following table summarizes the possible interpretations.

Method	Character Interpreted	Action
1	Carriage Return Line Feed	Causes carriage return and advances line. Causes no action.
2	Carriage Return Line Feed	Causes carriage return. Advances line.
3	Carriage Return Line Feed	Causes no action. Causes carriage return and advances line.
4	Carriage Return Line Feed	Causes carriage return and advances line. Advances line.

The Apple II adds a Carriage Return to the end of every line, and; the Parallel Printer Card adds a Line Feed character to the end of each line.

Therefore, each line sent to the printer is terminated by a Carriage Return and a Line Feed.

If the printer automatically adds another Line Feed character to the end of each line, double spacing of the printed lines may occur. If desired a command described below may be used to turn off the automatic printer Line Feed.

The number of columns (characters) per line also varies from printer to printer. When using a printer with a TV monitor, the line width is set to 40 columns, the width of the TV monitor. When using the printer alone, the line may be set to any width from 40 to 255 columns (depending upon the printer's capacity). The Parallel Printer Card is configured to accommodate the following Apple BASIC conventions:

- BASIC Listings will be formatted to prevent splitting command words at the end of the line.
- The TAB command and PRINT "comma" command formats will be printer dependent, regardless of line width.

In other words, setting the line width also sets the TAB, PRINT "comma," and BASIC Listing conventions to accommodate the new line width.

Starting to Use Your New Printer—An Example

Once the Parallel Printer Card is configured to match the printer and installed in a slot, it is ready for use.

The Printer Commands in the examples below are in Apple II BASIC. Apple Monitor I/O Commands and Apple Basic Program I/O Commands are listed at the end of this section.

Command	Explanation
RESET B ^C RETURN	Interrupts any program execution and transfers control to BASIC.
> PR#1	Turns Parallel Printer Card on. All data displayed on the TV monitor screen is also sent to the printer with the following exceptions: <ul style="list-style-type: none">• Graphic data is not printed• Backward TABs and VTABs do not work. (Forward TABs work correctly.) <p>Notes: I/O slot 0 cannot be entered. If the incorrect slot number is typed, all output will go to the wrong slot and no data will be displayed or printed. Depress RESET, and the computer will return to TV monitor display only. If the printer is not plugged in, turned ON, and ready to print, it will look BUSY to the system; which will "hang up" waiting for it. To clear this waiting state, get the printer ready to print (see its manual), then depress Apple II's RESET key (to clear the busy flag). The program may then be re-started.</p>
>PRINT 6+7 RETURN	The statement and its result should appear on both the printer and the monitor screen. <p>Notes: Most printers wait for a Carriage Return and then print the entire line. Since the TV monitor display is designed for 40 characters per line, the printer will behave like a 40 column (40 characters per line) printer as long as the monitor screen display is on. On some printers, several lines must be printed before the paper advances far enough for the first line to be seen.</p>

If at this point, data does not print at the printer:

1. Verify the Parallel Printer Card is plugged into slot #1 (specified in the PR#1 command). Slot #1 is the **second** slot from the left.

2. Verify that the wiring of the cable and jumper block are correct.
3. Verify that PR#1 was typed correctly.
4. Verify that the printer is turned on, and that the system has been RESET since.

If the printer still does not print, ask your local Apple dealer for assistance.

Printer Commands

The Parallel Printer Card Commands begin with CTRL I (I^C). The command conventions are:

LOWER CASE WORDS	Enter the data identified by the word.
UPPER CASE CHARACTERS	Type the character(s) or number(s) shown.
CONTROL CHARACTERS	Control characters are indicated by a superscript C; e.g.: I ^C . A control character is entered by depressing the CTRL key and the character key simultaneously. (Similar to using the shift key to type a capital letter.)
SPACING	Spacing in the command format is for legibility only. Spaces are not required when the command is entered.

For example, I^Cno N RETURN means:

1. Type I while holding the CTRL key down.
2. Enter a number at the keyboard.
3. Type N at the keyboard.
4. Depress RETURN.

The Printer Commands are shown below. They may be used in the command mode from either BASIC or the Monitor (except for PR# and P^C commands—see explanations).

Command	Explanation
I ^C n N RETURN	Turns off monitor screen and prints n columns per line on printer. The number of columns may be any number from 40 to 255.
I ^C I RETURN	Returns output to TV monitor screen as well as to printer.
I ^C K RETURN	Turns off automatic printer Line Feed.

I ^c letter ^c RETURN	Changes printer command control character recognized by printer. For example I ^c A ^c changes the control character recognized by the printer.
letter ^c I ^c RETURN	Changes printer control character back to I ^c . For example, A ^c I ^c .
PR# slot no. RETURN	Turns Printer Card on from BASIC. The slot number must identify the slot in which the Parallel Printer Card is inserted. Any number from 1 to 7 may be entered.
PR#0 RETURN	Turns the Parallel Printer Card off from BASIC.
slot no. P ^c	Turns on Printer Card from the Monitor. The slot number must identify the slot in which the card is inserted.
OP ^c	Turns the Printer Card off from the Monitor.

Notes: For users of Applesoft BASIC on cassette tape:
 Applesoft BASIC does not yet allow "PR#" commands (which are used in Apple Integer BASIC to turn the printer ON and OFF). Therefore, the printer must be controlled as follows:
 To turn ON, type
 POKE 54, 0: POKE 55, 192 + slot no.
 To turn OFF, type
 POKE 54, 240: POKE 55, 253
 These commands must be entered on a single line, as shown. They will work from the Monitor and Apple BASIC as well as from Applesoft BASIC, but are not required.
 All other commands, using I^c, work from Applesoft BASIC.

Using Printer Commands in BASIC Programs

Printer control within BASIC programs is accomplished by embedding the commands (shown above) in PRINT statements.

>10 PR#1	Turns off Printer Card.
>20 PRINT "I ^c no. N";	Turns off TV monitor screen display and prints n columns per line at the printer
>30 PRINT "I ^c I";	Returns output to TV monitor screen as well as printer.
>40 PRINT "I ^c K";	Turns off the Line Feed code.
>50 PRINT "I ^c A ^c ";	Changes I ^c to A ^c for printer listing of BASIC program.

>60 PRINT "A^c I^c";
 Restores I^c as the printer control command character.

Example Of Control From a BASIC Program

Here is a typical BASIC program using the printer control commands.

10 PR #1	Turn on Printer Card.
(20 PRINT "I ^c K");	Only if printer advances line on Line Feed code.
30 PRINT "I ^c 80 N";	Output on printer only.
40 PRINT "PRINTER"	
50 PRINT "I ^c I";	Output on screen and printer.
60 PRINT "SCREEN AND PRINTER"	
70 PR #0	Turn off printer card.
80 PRINT "SCREEN ONLY"	
90 END	

Listing Programs Containing Print Commands

To list a BASIC program containing printer control commands, take the following steps:

Command	Explanations
> PR#1	Turns Parallel Printer Card on.
>I ^c K RETURN	Only if printer advances line on Line Feed code.
>I ^c A ^c RETURN	Changes I ^c character to A ^c character. The printer treats I ^c command sequences in a BASIC Program listing as a command and changes printer operation as specified in the command. To avoid this problem the I ^c must be changed to another character, e.g.: A ^c .
>A ^c 80 N RETURN	Turns off TV monitor screen and outputs on 80 column printer.
>LIST	LIST is not displayed because the TV monitor display is off.
>A ^c I ^c RETURN	Enter after the listing is complete to restore I ^c as the printer control command character.

OPERATING HINTS

The three techniques detailed below will guard against the most common printing problems.

1. Before using the printer in your program (PR#1 statement), be sure to HOME the cursor and clear the screen. (A CALL-936 statement in your program does this.)
2. If you are printing more than 40 characters per line, be sure to re-set the line length to 40 characters per line before using the PR#0 command (which turns off the printer interface).
3. Before using the printer to list a program that has printer control commands embedded in it, change the control character from I to some other character. Then re-set I as the control character before running the program.

IV USING THE PRINTER CARD AS A GENERAL-PURPOSE, PARALLEL OUTPUT PORT

The Parallel Printer Card can be used as a general-purpose, 8-bit parallel output card to drive music synthesizers, digital-to-analog converters, etc.

If data is stored at location \$C080+\$N0 (where N is the slot number), then the data will appear on Printer Board Data Lines (DP0-DP7), and will remain until the next "STORE" instruction to that location is executed.

From BASIC this data transfer may be accomplished by typing:

```
POKE (-16256+N16), DATA
```

N is the slot number of the Printer Card, and DATA is the Data to be put out.

Each time a byte is sent to the Printer Card, a strobe will be generated on the STR line. The strobe polarity may be set as described earlier for strobes to printers.

V HARDWARE DESCRIPTION

Board Layout

The Printer Board contains a 6309 (256 × 8) PROM for printer firmware, an 8-bit data register, and handshake and configuration logic at the following board locations:

Location	Package Component	Function
B1	16-Pin DIP Header	Sets handshake logic levels.
B2	74LS74	Forms response detection from printer.
B3	74LS298	A. Two bits of 8-bit register are latched into two sections. B. An output strobe or level for handshake is formed using the other two sections.
A4	74LS174	Six bits of 8-bit data register latched into 74LS174.
A1	74LS00	Performs PROM address alteration. (A response signal alters the address range of the PROM; thus altering the firmware program.)

Handshake Procedure

The Parallel Printer Interface Card will accommodate a variety of handshake procedures. The following description of the more common two-line handshake should enable the engineer/user to design other handshake procedures.

STROBE/Edge Handshake

Pulse (STR or STR) to printer indicates data transfer ready. Edge (ACK or ACK) response from printer indicates printer ready to accept data.

Note: Although many printer documents describe the acknowledge signal as a level, careful inspection will often show the critical timing of the acknowledge signal to be on edge.

The Strobe/Edge Handshake is the most common handshake. Figure 7 illustrates the relative timing and defines the level for the handshake signals.

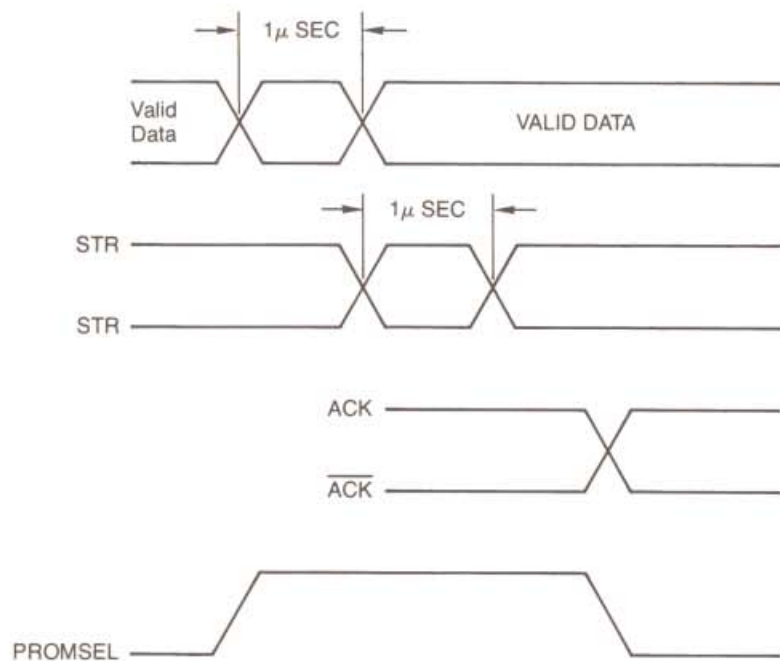
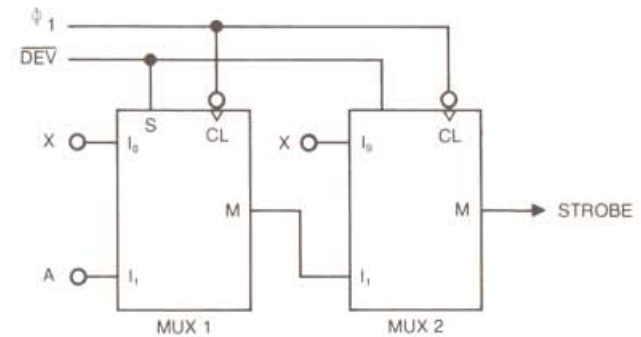


Figure 7. Strobe/Edge Timing

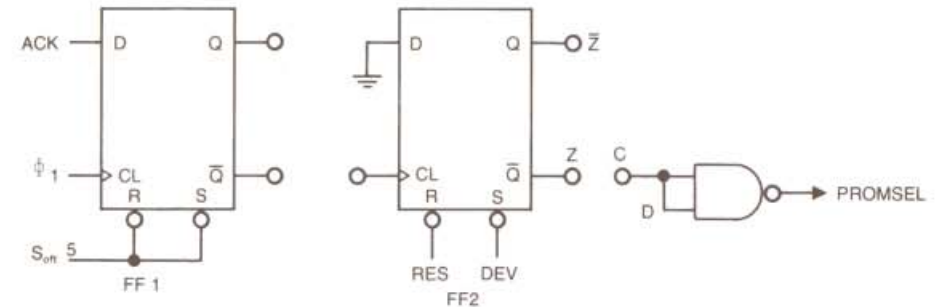
In Figure 8, FF1 is used to synchronize the incoming ACKnowledge signal to the Apple II system timing. The output of FF1 is connected to the clock input of FF2 to reset FF2 when the desired acknowledge edge occurs. (FF2 has been previously set by the DEV signal that occurred when the last data was sent to the printer.) Thus, output Z (Q of FF2) will be high causing PROMSEL to be low from the time a data word is sent until the acknowledge edge is received. When PROMSEL is low, the PROM is in its Printer-Not-Available program mode.

When a data word is sent to the printer, MUX1 will switch from the A input to the X input. (These are complementary for a strobe pulse response.) Thus, output M1 of MUX1 will change state. Since X is sent to the same state as A, the output STR of MUX2 will not change state with the DEV signal. On the next ϕ_1 clock, STR will return to its rest state, completing the STR pulse generation. The deliberate delay in STR from the first DEV input is necessary because an indexed store operation from the 6502 will cause a false DEV the cycle prior to the legitimate store operation. Figures 9 and 10 show a functional block diagram of the Printer Card, and the actual schematic.



Strobe Pulse

$\overline{\text{STR}}$	A = S _{off} 5	STR	A = GND
	X = S _{off} 5		X = GND
	X = GND		X = S _{off} 5



Edge Response

$\overline{\text{ACK}}$	B = Y	ACK	B = \overline{Y}
-------------------------	-------	-----	--------------------

Figure 8. Jumper Configuration Block Connections

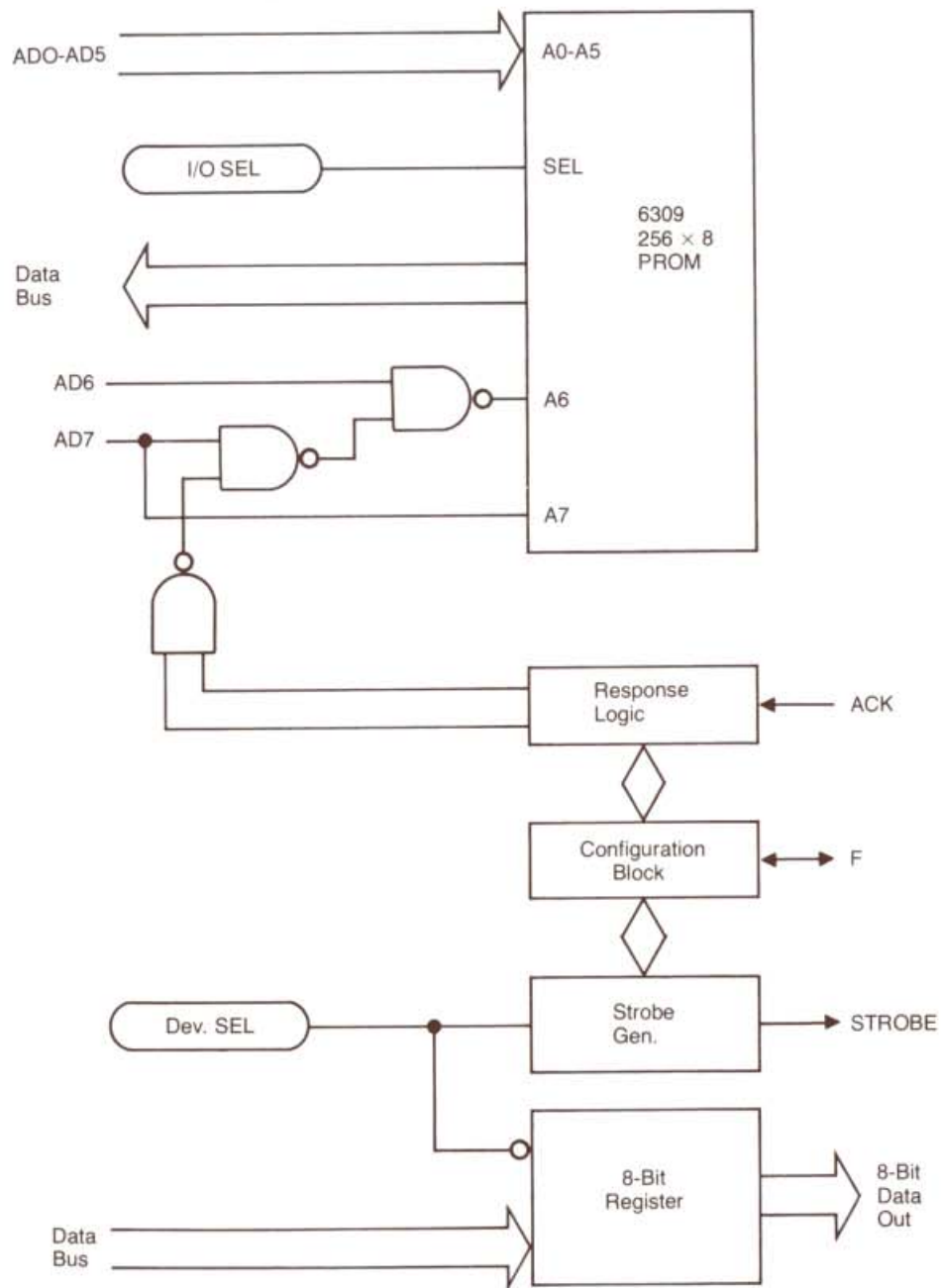


Figure 9. Parallel Printer Board Block Diagram

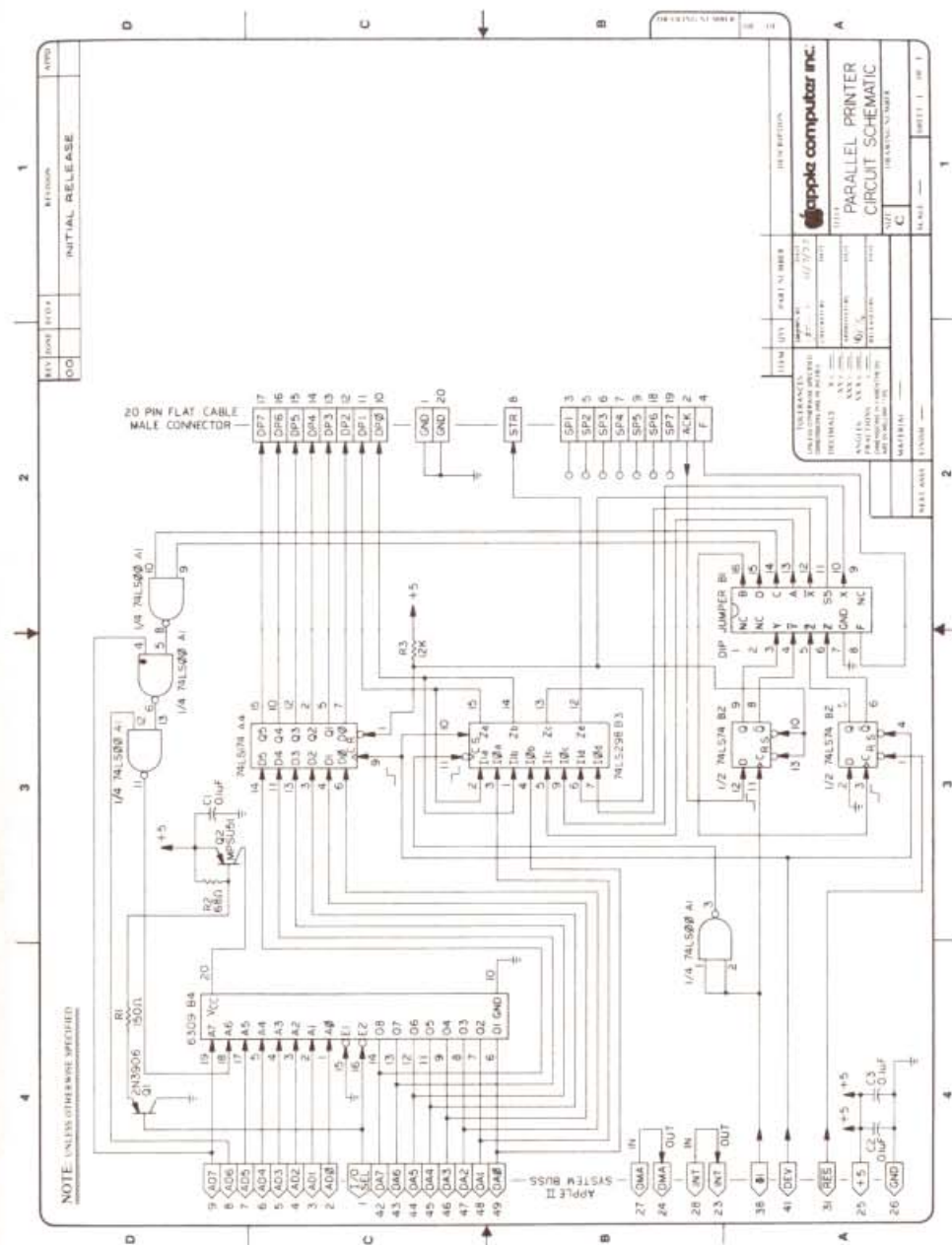


Figure 10. Parallel Printer Card Schematic

VI FIRMWARE DESCRIPTION

The commented firmware listing on the following pages fully describes the Apple II Parallel Printer Interface Card Firmware. The listing contains four sections:

- Address Transformation Information

Note: The Firmware listing provides the apparent address of the printer card to the CPU. Due to address mapping, the apparent address and the real PROM address do not agree.

- Printer Card Equates
- Printer Card Firmware Listing
- Symbol Cross - Reference Table

The PR# BASIC Command or the P^C Monitor Command are not required to access the printer board firmware.

For direct output,

- a) preset MSTRT (\$5F8+\$N)
- MODE (\$678+\$N)
- ESCHAR (6F8+\$N)
- FLAGS (\$778+\$N)

- b) enter the program once at \$CN00. (The normal entry point is \$CN02).

Data in the accumulator is output on the data lines with STR when the responding device is ready.

The firmware program exits by an RTS or a JMP COUT1, depending on B7 of the MODE word in memory. The accumulator, X and Y registers, and stack pointer are not affected.


```

0000 0010 *****
0000 0020 *
0000 0030 * PRINTER CARD I FIRMWARE *
0000 0040 *
0000 0050 * W0Z 11/1/77 *
0000 0060 * APPLE COMPUTER INC. *
0000 0070 * ALL RIGHTS RESERVED *
0000 0080 *
0000 0090 *****
0000 0100 WNDWTH EGU #21 WINDOW WIDTH (MARGIN)
0000 0110 CH EGU #24 CURSOR HORIZONTAL INDEX
0000 0120 CSWL EGU #36 LOW ORDER COUT SWITCH BYTE
0000 0130 MSTRT EGU #53B MARGIN START
0000 0140 MODE EGU #58B AFTER ESC CHAR IN B7
0000 0150 ESCHAR EGU #63B CURRENT ESC CHAR
0000 0160 FLAGS EGU #68B B7=VID-ALSO, B0=CRLF
0000 0170 COL EGU #73B COLUMN COUNT
0000 0180 DEV EGU #C0B0 +*NO ACTIVATES THE DEV LINE
0000 0190 COUT1 EGU #FDF0 VIDED OUTPUT ENTRY
0000 0200 IORTS EGU #FF5B FIXED RTS INSTUCTION
0000 0210 *
0000 0220 *
0000 18 2* 0230 ENTO CLC DEFAULT ENTRY
0001 80 00 2* 0240 BCS *
0003 0250 DRQ *-1
0002 38 2 0260 ENT1 SEC NORMAL ENTRY
0003 48 3 0270 PHA
0004 8A 2 0280 TXA
0005 48 3 0290 PHA SAVE REGISTERS ON STACK
0006 98 2 0300 TYA
0007 48 3 0310 PHA
0008 08 3 0320 PHP
0009 78 2 0330 SEI DISABLE INTERUPTS
000A 20 58 FF 6 0340 JSR IORTS RETURNS #CN ABOVE STACK
000D BA 2 0350 TSX (N IS SLOT NUMBER)
000E 68 4 0360 PLA
000F 68 4 0370 PLA
0010 68 4 0380 PLA
0011 68 4 0390 PLA
0012 AB 2 0400 TAY CHAR TO Y-REGISTER
0013 CA 2 0410 DEX
0014 9A 2 0420 TXS GET #CN FROM ABOVE STACK
0015 68 4 0430 PLA
0016 28 4 0440 PLP RESTORE STATUS
0017 AA 2 0450 TAX #CN TO REG X
0018 90 47 2* 0460 BCC DEFAULT
001A 8D 88 05 4* 0470 LDA MODE, X AFTER ESC CHAR?
001D 10 4E 2* 0480 BPL ESCTST NO...
001F 98 2 0490 TYA CHAR TO REG-A
0020 29 7F 2 0500 AND ##7F MASK OUT BIT 7
0022 49 30 2 0510 EOR ##30 ALTER BITS
0024 C9 0A 2 0520 CMP ##A "0"- "9"?
0026 90 29 2* 0530 BCC DIQ BRANCH IF YES
0028 C9 78 2 0540 CMP ##7B "H"- "D"?
002A 80 06 2* 0550 BCS SETFLG YES, SET OR CLR FLAGS
002C 98 2 0560 TYA GET ORIGNAL CHAR AGAIN
002D 9D 38 06 5 0570 STA ESCHAR, X STORE NEW ESC CHAR
0030 90 16 2* 0580 BCC DONE1 BRANCH ALWAYS TAKEN
0032 4A 2 0590 SETFLG LSR A
0033 6A 2 0600 ROR A B0 -> B7, B2 -> B0, B1 -> CARRY
0034 80 08 2* 0610 BCS CLRFLG CLR FLAGS IF B1 WAS ONE
0036 1D 88 06 4* 0620 ORA FLAGS, X SET FLAGS SELECTIVELY
0039 10 0A 2* 0630 BPL NEWFLG
003B A0 28 2 0640 LDY ##2B IF IN VIDED ALSO THEN SET
003D 84 21 3 0650 STY WNDWTH WINDOW WIDTH (MARGIN)*40
003F 90 04 2* 0660 BCC NEWFLG BRANCH ALWAYS TAKEN
0041 3D 88 06 4* 0670 CLRFLG AND FLAGS, X CLEAR FLAGS SELECTIVELY
0044 18 2 0680 CLC INDICATE 'NOT AFTER ESC CHAR'
0045 9D 88 06 5 0690 NEWFLG STA FLAGS, X B7=VIDED-ALSO, B0=CRLF
0048 7E 88 05 7 0700 DONE1 ROR MODE, X CARRY INTO B7 FOR
0049 68 4 0710 DONE2 PLA 'AFTER ESC CHAR' MODE
004C AB 2 0720 TAY
004D 68 4 0730 PLA RESTORE REGISTERS
004E AA 2 0740 TAX
004F 68 4 0750 PLA THEN RETURN
0050 60 6 0760 RTS
0051 0770 *
0051 0780 *
0051 A0 0A 2 0790 DIG LDY ##A
0053 7D 38 05 4* 0800 DLOOP ADC MSTRT, X ADD 10*MSTRT TO DIG AND STORE
0056 88 2 0810 DEY IN WINDOW WIDTH (MARGIN)
0057 D0 FA 2* 0820 BNE DLOOP

```

```

0059 B5 21 3 0830 STA WNDWTH
005B 9D 38 05 5 0840 MINIT STA MSTRT, X UPDATE MARGIN START
005E 38 2 0850 SEC INDICATE 'AFTER ESC CHAR'
005F B0 E7 2* 0860 BCS DONE1 BRANCH ALWAYS TAKEN
0061 0870 *
0061 0880 *
0061 A9 89 2 0890 DEFAULT LDA ##89 DEFAULT CHARACTER (CONTROL-I)
0063 9D 38 06 5 0900 STA ESCHAR, X
0066 9D 88 06 5 0910 STA FLAGS, X VIDED ALSO, CRLF ON
0069 A9 02 2 0920 LDA #ENT1
006B 85 36 3 0930 STA CSWL
006D 98 2 0940 ESCTST TYA SET FOR NORMAL ENTRY
006E 5D 38 06 4* 0950 EOR ESCHAR, X MOVE CHAR TO REG-A
0071 0A 2 0960 ASL A ESC CHAR? (7 LSB'S)
0072 F0 E7 2* 0970 BEG MINIT BRANCH IF YES
0074 5E 88 05 7 0980 LSR MODE, X NO, CLR 'AFTER ESC CHAR'
0077 98 2 0990 TYA
007B 4B 3 1000 PHA SAVE CHAR ON THE STACK
0079 8A 2 1010 TXA
007A 0A 2 1020 ASL A
007B 0A 2 1030 ASL A GENERATE N*#10 AS AN INDEX TO
007C 0A 2 1040 ASL A THE DEVICE LINE (REG-Y)
007D 0A 2 1050 ASL A
007E AB 2 1060 TAY
007F 9D 40 2* 1070 BCC PRNT BRANCH ALWAYS TAKEN
0081 90 FE 2* 1080 BCC *-2 IMAGE 'WAIT FOR READY'
0083 99 80 C0 5 1090 OUT STA DEV, Y OUTPUT CHAR TO PRINTER
0086 90 39 2* 1100 BCC PRNT LOOP IF WAS TAB
008B 49 0D 2 1110 EDR ##D
008A 0A 2 1120 ASL A CARRAGE RETURN IN 7 LSB'S?
008B D0 0D 2* 1130 BNE FINISH BRANCH IF NOT CR
008D 9D 38 07 5 1140 STA COL, X CLEAR COLUMN COUNT
0090 BD 88 06 4* 1150 LDA FLAGS, X FOR CRLF CHECK (B0)
0093 6A 2 1160 ROR A
0094 29 80 2 1170 AND ##80
0096 09 0A 2 1180 ORA ##A GENERATE LINE FEED
0098 B0 5F 2* 1190 BCS PRNT2 OUTPUT IF CRLF MODE
009A BD 88 06 4* 1200 FINISH LDA FLAGS, X
009D 10 08 2* 1210 BPL NOVID
009F 68 4 1220 PLA
00A0 AB 2 1230 TAY
00A1 68 4 1240 PLA IF VIDED-ALSO MODE THEN
00A2 AA 2 1250 TAX RESTORE REGISTERS AND END
00A3 68 4 1260 PLA WITH VIDED OUT ROUTINE
00A4 4C F0 FD 3 1270 JMP COUT1
00A7 BD 38 07 4* 1280 NOVID LDA COL, X COLUMN COUNT
00AA F0 08 2* 1290 BEG SETCH IF ZERO, CLEAR CURSOR HORIZ
00AC E5 21 3 1300 SBC WNDWTH CHECK FOR WITHIN 8 CHARS OF
00AE E9 F7 2 1310 SBC ##F7 WINDOW WIDTH (MARGIN)
00B0 90 99 2* 1320 BCC DONE2 IF NO, THEN DONE
00B2 69 1F 2 1330 ADC ##1F ADD 32 (FORMING 32-39)
00B4 18 2 1340 SETCH CLC FOR NEW CURSOR HORIZ IF
00B5 85 24 3 1350 STA CH NEAR MARGIN (FOR LIST)
00B7 90 92 2* 1360 BCC DONE2 BRANCH ALWAYS TAKEN
00B9 70 FE 2* 1370 BVS *-2 IMAGE FOR 'WAIT FOR READY'
00BB 1380 ORG **6
00C1 90 21 2* 1390 PRNT BCC PRNT1 TAKEN WHEN PRINTER READY
00C3 1400 ORG **21
00E4 8D 38 07 4* 1410 PRNT1 LDA COL, X
00E7 C5 24 3 1420 CMP CH IF COLUMN >= CURSOR HORIZ
00E9 68 4 1430 PLA THEN USE CHAR
00EA B0 05 2* 1440 BCS CTLTST
00EC 48 3 1450 PHA
00ED 29 80 2 1460 AND ##B0 ELSE GEN BLANK (7 LSB'S)
00EF 09 20 2 1470 ORA ##20 FOR TAB CATCH-UP
00F1 2C 58 FF 4 1480 CTLTST BIT IORTS
00F4 F0 03 2* 1490 BEG PRNT2 INCR COLUMN COUNT
00F6 FE 38 07 7 1500 INC COL, X IF NOT A CONTROL CHAR
00F9 70 88 2* 1510 PRNT2 BVS OUT TAKEN WHEN PRINTER READY

```

```

0024 CH 0041 CLRFLG 073B COL FDF0 COUT1
0036 CSWL 00F1 CTLTST 0061 DEFAULT C0B0 DEV
0051 DIG 0053 DLOOP 0048 DONE1 0048 DONE2
0000 ENTO 0002 ENT1 0638 ESCHAR 006D ESCTST
009A FINISH 068B FLAGS FF5B IORTS 005B MINIT
058B MODE 053B MSTRT 0045 NEWFLG 00A7 NOVID
0083 OUT 00C1 PRNT 00E4 PRNT1 00F9 PRNT2
00B4 SETCH 0032 SETFLG 0021 WNDWTH

```

The information contained in this manual is believed to be correct at the time of publication, but Apple Computer Inc. assumes no liability arising from the use of this material.